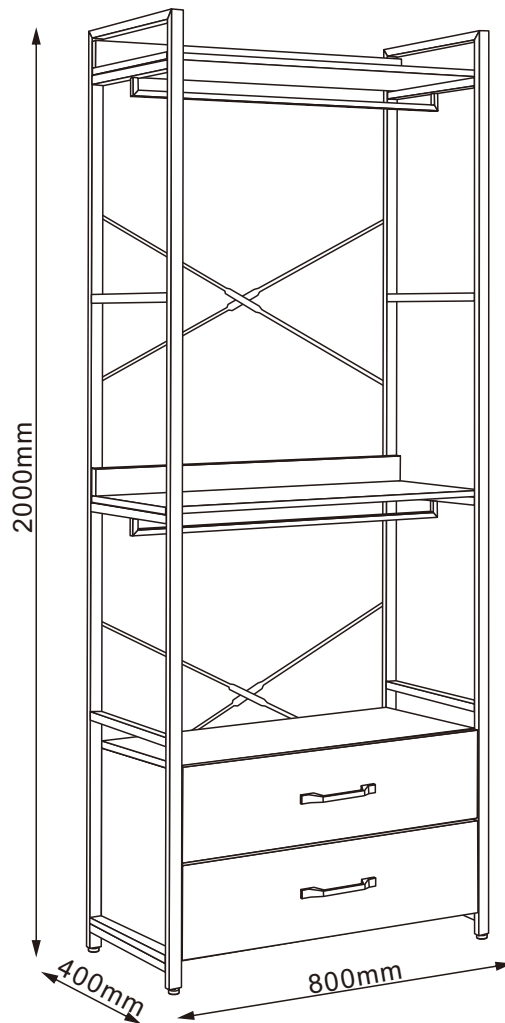


ASSEMBLY INSTRUCTION

ALES

Double Rail 2 Drawer Clothes Rack

ITEM CODE 75103

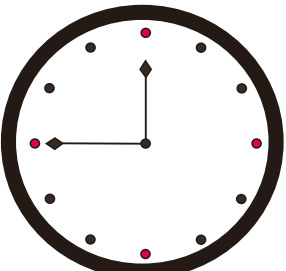
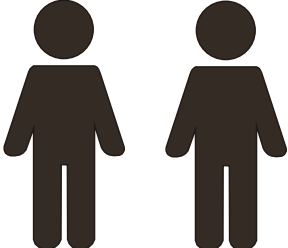



Imported by JWA Furniture Pty Ltd, Qld, Brisbane Australia.
For any assistance with assembly or for missing parts please refer to your receipt

PRE-ASSEMBLY PREPARATION

Before you start:

1. Choose a clean, level, spacious assembly area. Avoid hard surfaces that may damage the product
2. Take care when lifting. Product should be assembled as near as possible to the point of use
3. Ensure that you have all required contents for complete assembly
4. Always read the assembly instructions carefully before beginning assembly.
5. Keep all hardware parts and packaging out of reach of small children.
6. Do not over tighten the screws and bolts as this may damage the threads
7. Assembly is to be carried out by a competent adult(s) ONLY
8. During assembly, children should be kept away from the product due to possible risk to injury.
9. Do not use this item if any components are missing or damaged.
10. Please keep the instructions for future reference.

		
Allow 45min	For 2 person	Additional tools required



TIPPING WARNING





Serious or fatal injuries may occur from furniture toppling over. To help avoid this please follow the below recommendations;

- Install the provided "Tipping Kit" as per the instructions
- Never allow children to climb on or hang off of any part of this product
- Unless specifically designed to accommodate, do not set TVs or other heavy objects on top of this product

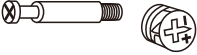

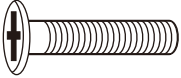
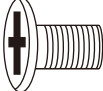
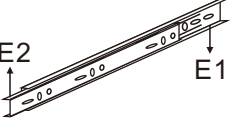
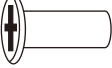



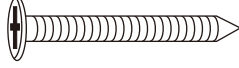
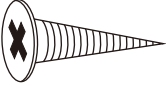
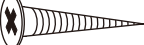



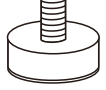
IF this product has drawers:

- Place the heaviest items in lowest drawers
- Do not open more than 1 drawer at a time as this may cause the product to become unbalanced
- Do not tamper with or remove any drawer interlocking/running system

Note: The use of the provided "Tipping Kit" may reduce but not necessarily eliminate the risk of furniture toppling over. Please use this product with caution.

This is a permanent label. Do not attempt to remove!

PARTS LIST

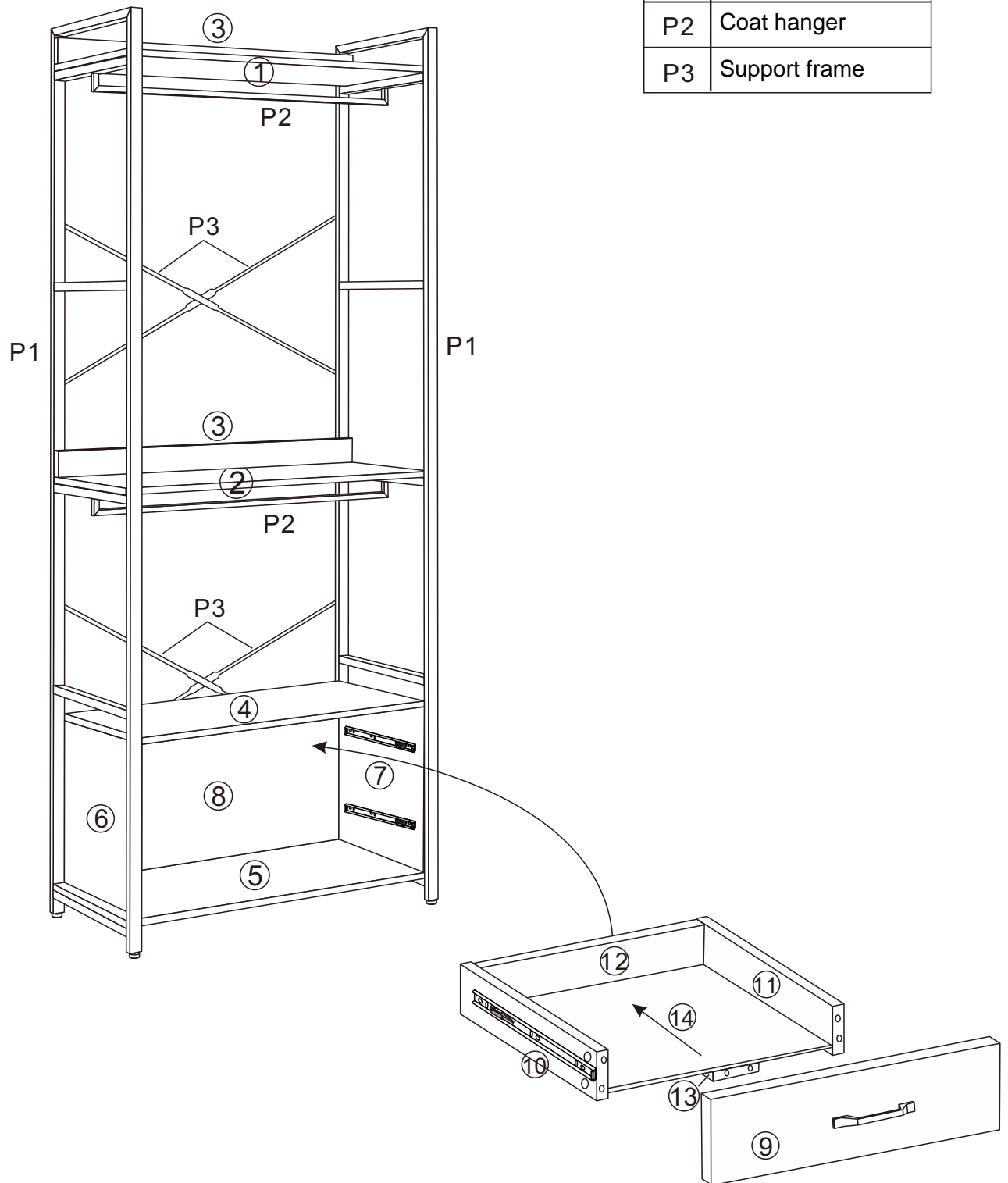
<p>A</p>  <p>24pcs</p>	<p>B</p>  <p>8pcs</p>	<p>C</p>  <p>M6X30 mm 16pcs</p>	<p>D</p>  <p>M6X15mm 10pcs</p>	<p>E</p>  <p>4pcs</p>
<p>F</p>  <p>M6 8pcs</p>	<p>G</p>  <p>M6mm 2pcs</p>	<p>H</p>  <p>M4X18mm 4pcs</p>	<p>I</p>  <p>2pcs</p>	<p>J</p>  <p>ST5X50mm 12pcs</p>
<p>K</p>  <p>ST3.5X14mm 18pcs</p>	<p>L</p>  <p>ST3.5X18mm 6pcs</p>	<p>M</p>  <p>ST4X25mm 2pcs</p>	<p>N</p>  <p>6pcs</p>	<p>O</p>  <p>2pcs</p>
<p>P</p>  <p>M8X20X10mm 4pcs</p>				

1	Top panel
2	Middle panel
3	Connection panel
4	Cabinet top panel
5	Cabinet bottom panel

6	Cabinet left panel
7	Cabinet right panel
8	Cabinet back panel
9	Drawer front panel
10	Drawer left panel

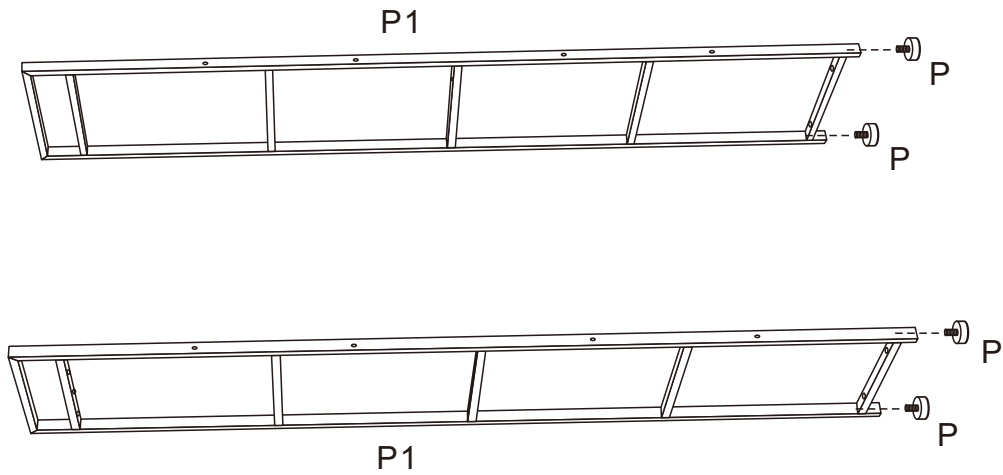
11	Drawer right panel
12	Drawer back panel
13	Drawer support panel
14	Drawer bottom panel

P1	Main frame
P2	Coat hanger
P3	Support frame



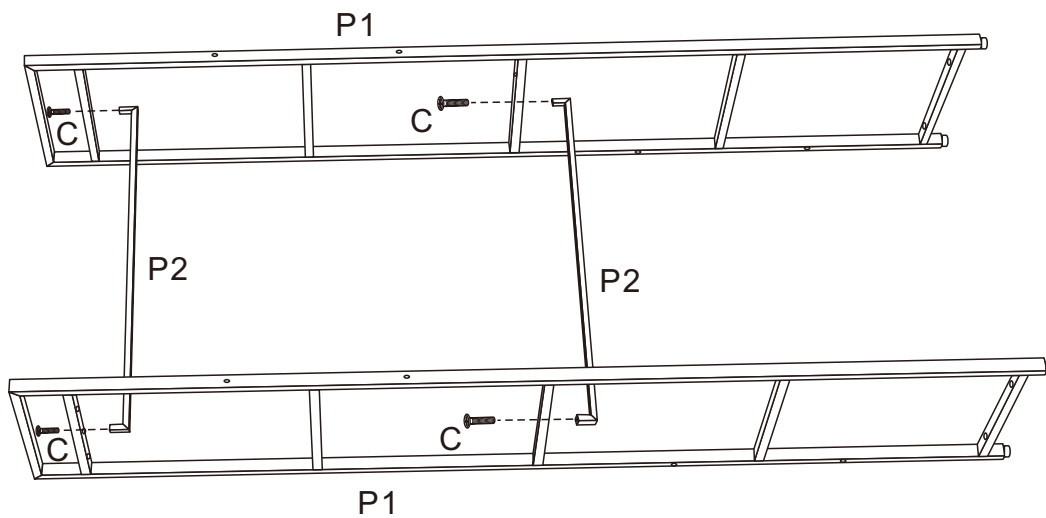
STEP 1:

1. Insert part P into frame P1.



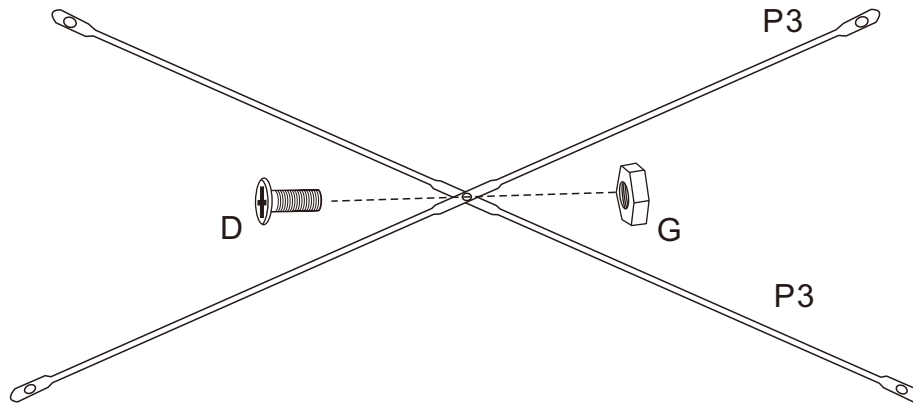
STEP 2:

1. Attach coat hanger P2 to frame P1 with part C.



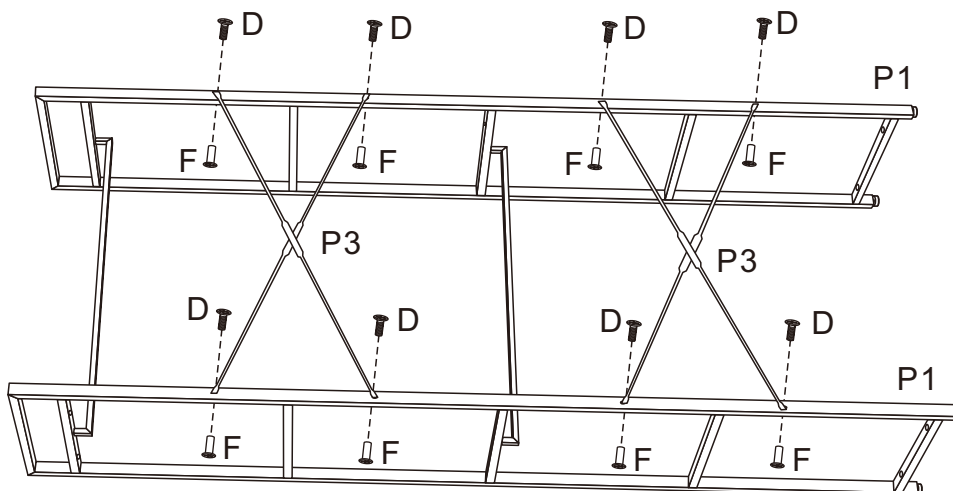
STEP 3:

1. Attach frame P3 with parts D and G.



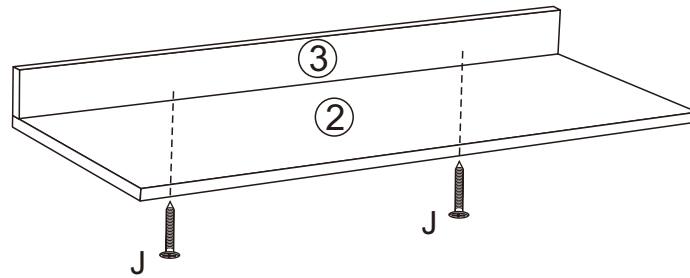
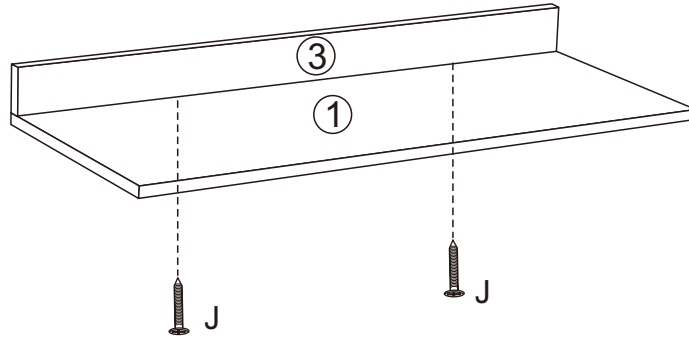
STEP 4:

1. Attach frame P3 to frame P1 with parts D and F.



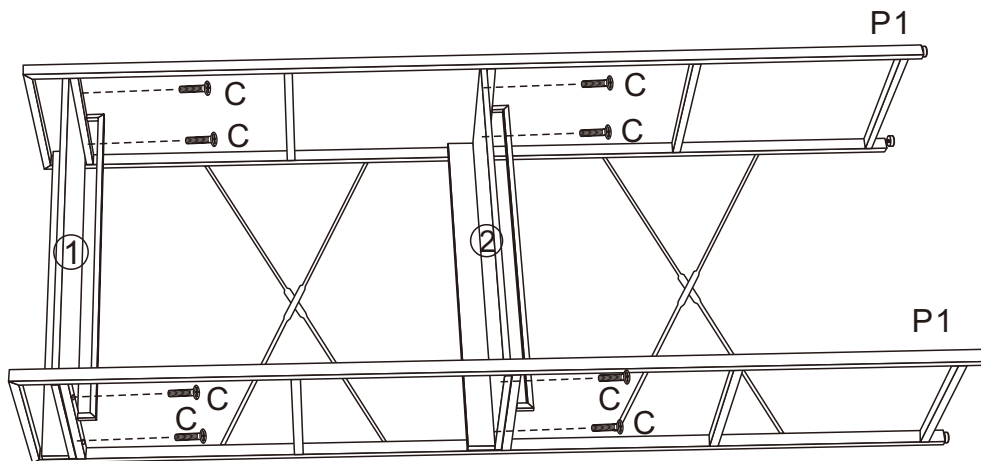
STEP 5:

1. Attach panel 3 to panel 1 with part J.
2. Attach panel 3 to panel 2 with part J.



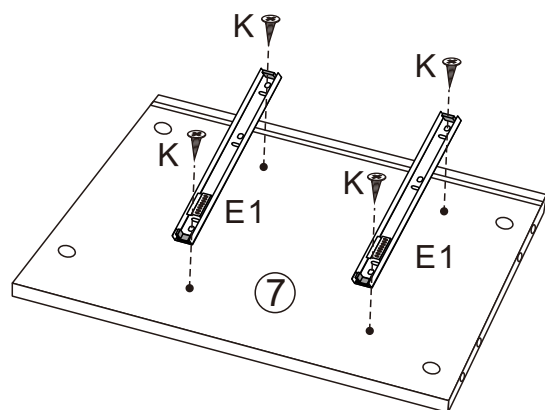
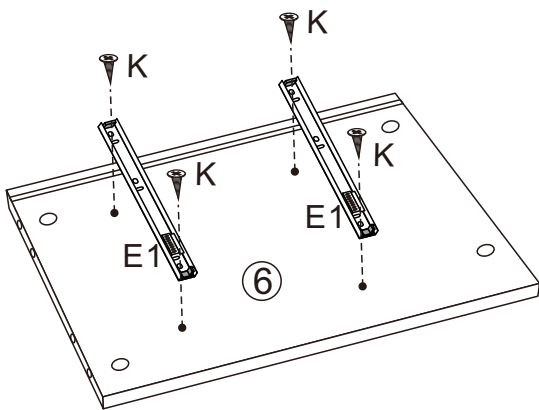
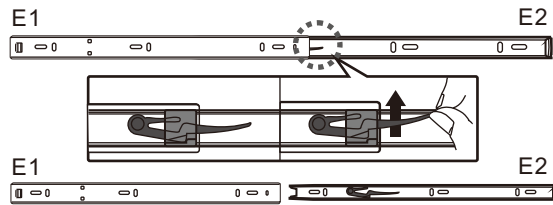
STEP 6:

1. Attach panels 1 and 2 to frame P1 with part C.



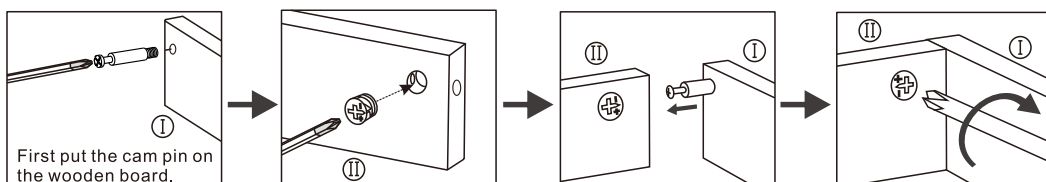
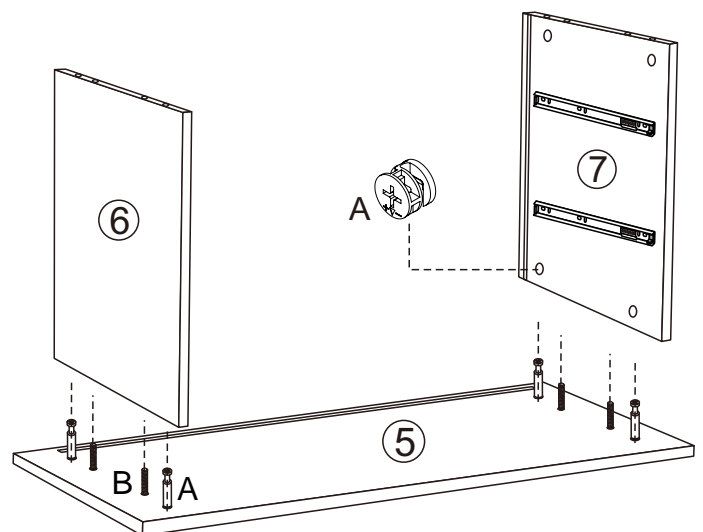
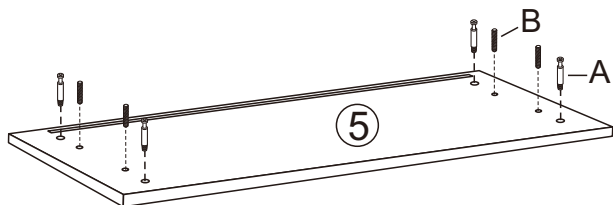
STEP 7:

1. Separate parts E1 and E2 (runners) as shown below.
2. Attach part E1 to panels 6 and 7 with part K.



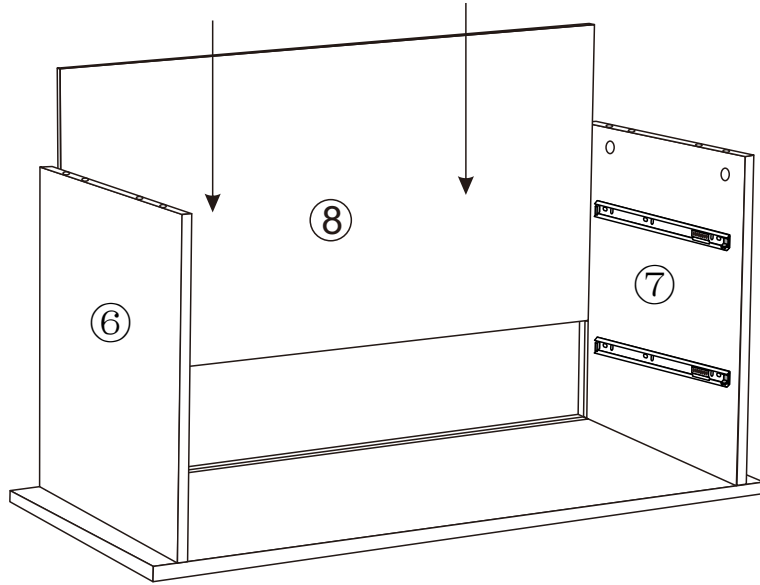
STEP 8:

1. Insert parts A and B into panel 5.
2. Attach panels 6 and 7 to panel 5 with parts A and B.



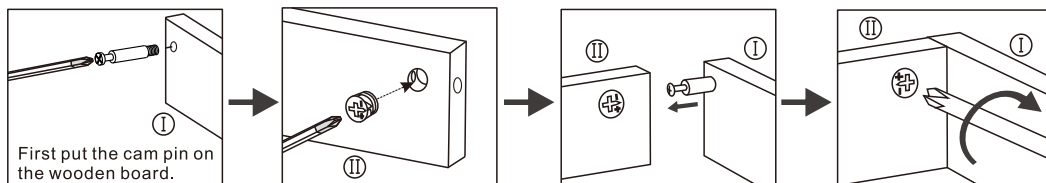
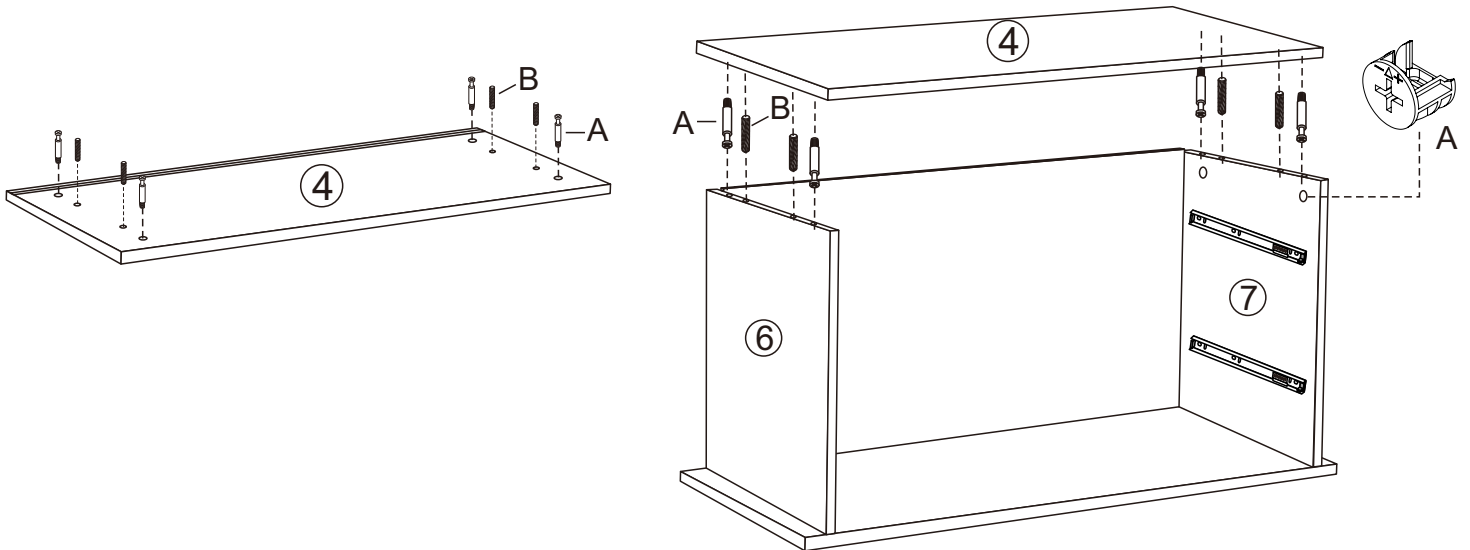
STEP 9:

1. Slide panel 8 along slots of panels 6 and 7.



STEP 10:

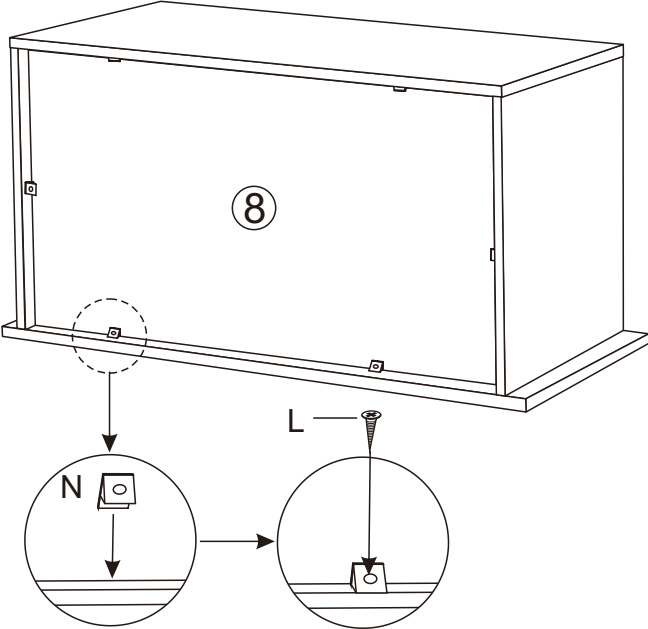
1. Insert parts A and B into panel 4.
2. Attach panel 4 to panels 6 and 7 with parts A and B.



First put the cam pin on the wooden board.

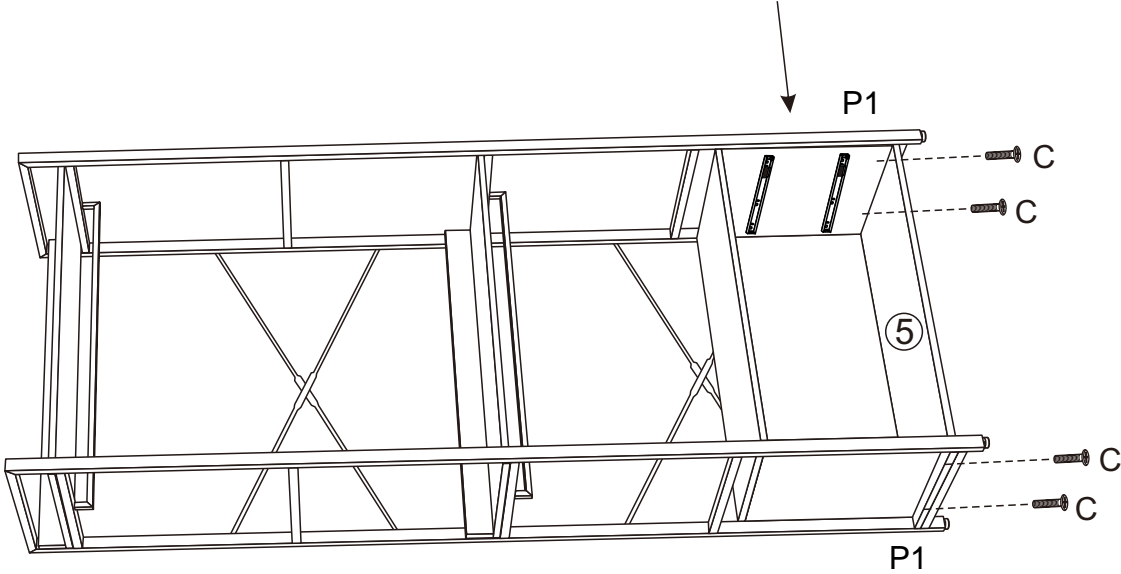
STEP 11:

1. Insert part N into panel 8 with part L.



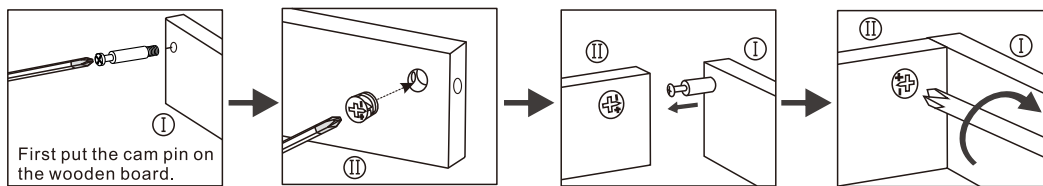
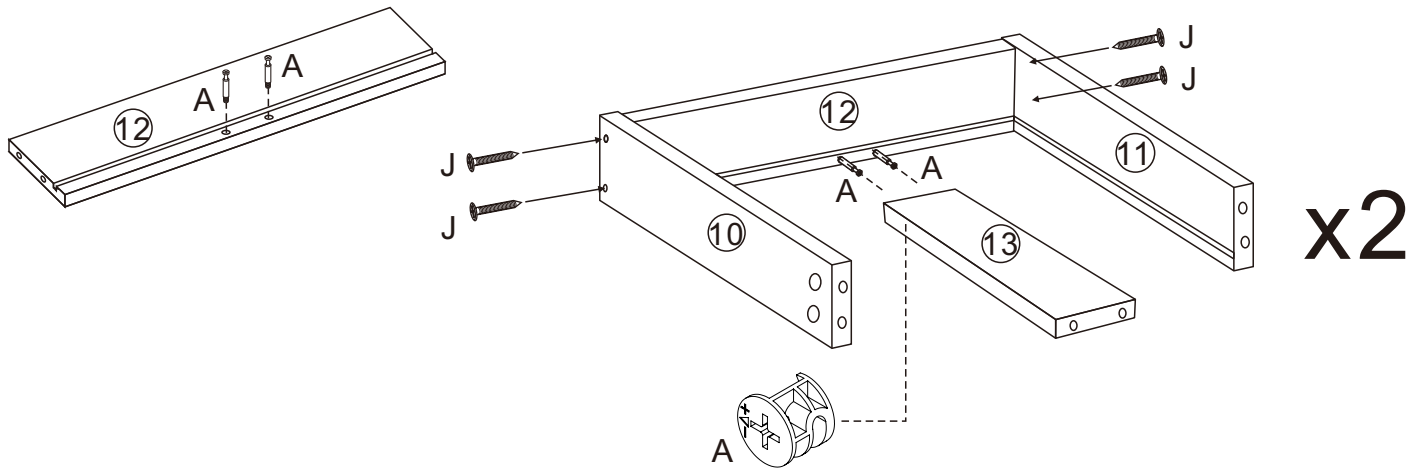
STEP 12:

1. Attach cabinet to frame P1 with part C.



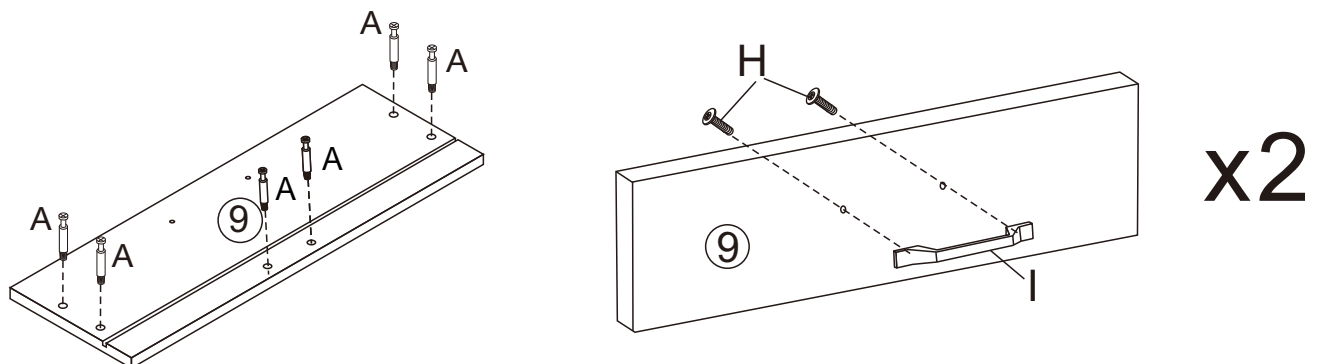
STEP 13:

1. Insert part A into panel 12.
2. Attach panel 13 to panel 12 with part A.
3. Attach panels 10 and 11 to panel 12 with part J.



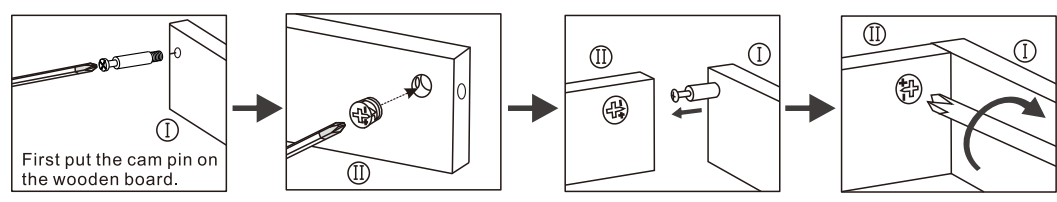
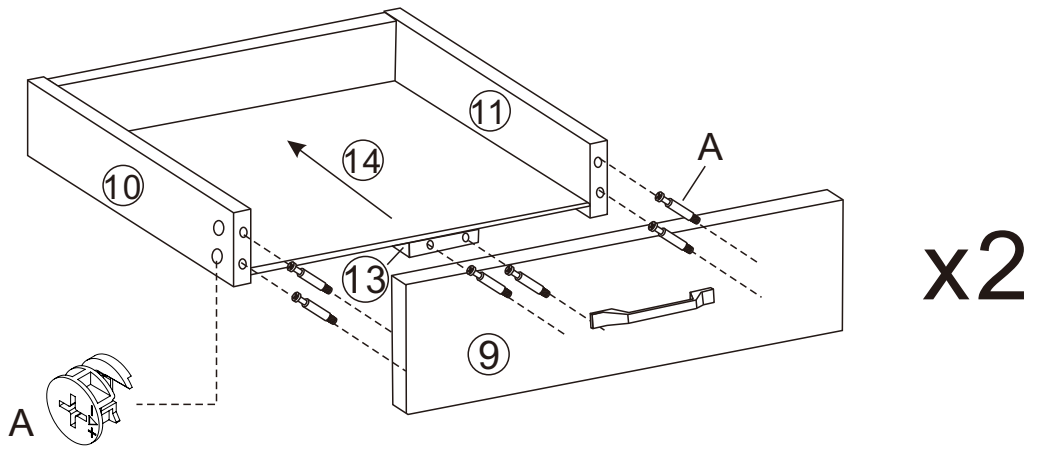
STEP 14:

1. Insert part A into panel 9.
2. Attach part I to panel 9 with part H.



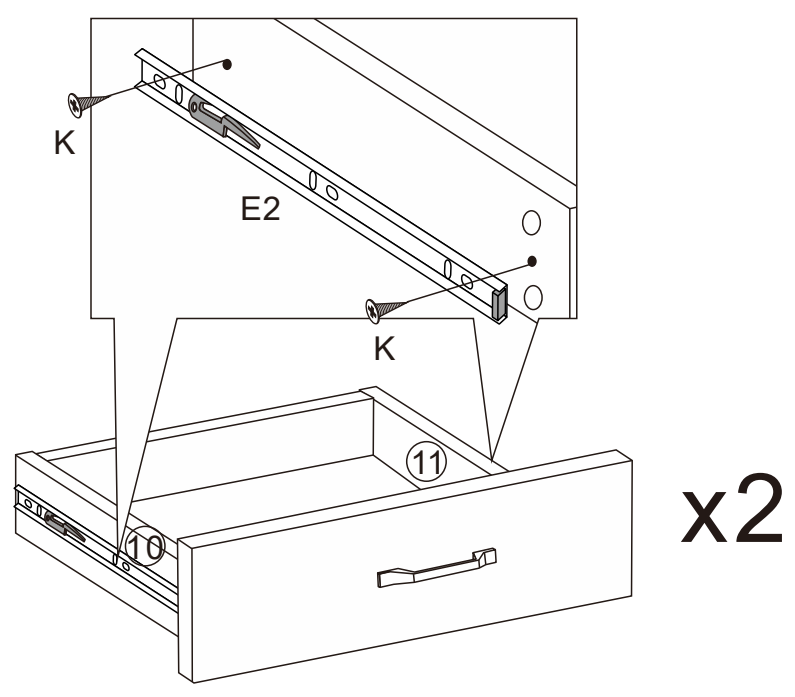
STEP 15:

1. Attach panel 9 to panels 10, 11 and 13 with part A.



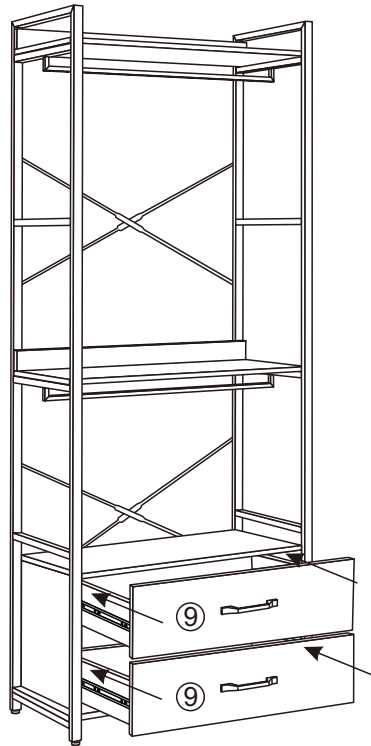
STEP 16:

1. Attach part E2 to panels 10 and 11 with part K.



STEP 17:

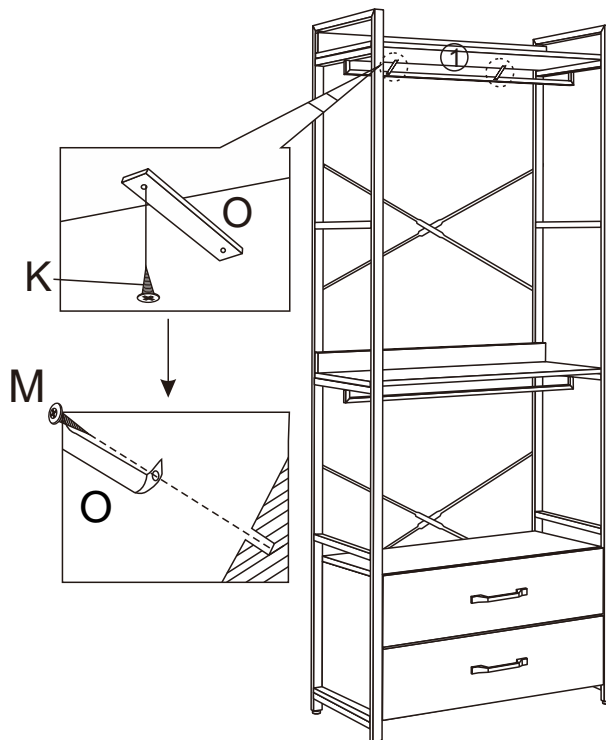
1. Install drawer into the cabinet. Ensure runners are correctly aligned.



STEP 18:

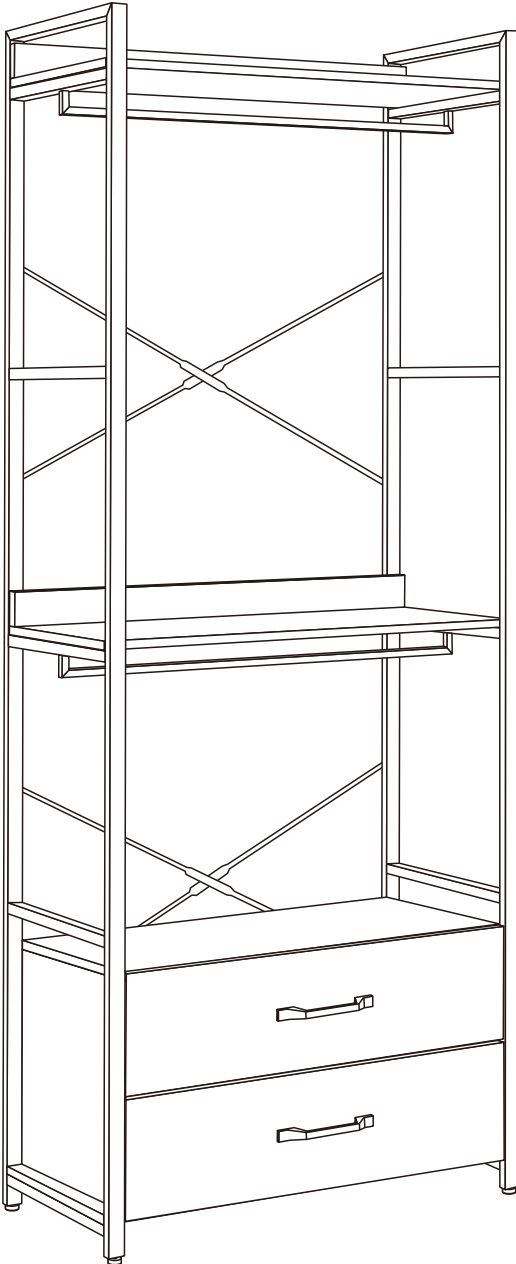
Install Tip Kit

1. Attach part O to the back of panel 1 with part K.
2. Attach part O to the wall with part M.



STEP 19:

Assembly complete!



To protect your furniture, we suggest the following:

- Avoid placing your furniture in direct sunlight.
- Do not place furniture directly under windows.
- Do not place sharp materials (knife, fork, etc.) directly onto your furniture as sharp material may scrape and damage the finish.
- Do not place material with high temperature directly onto the surface of your furniture.
- Clean up spills quickly. Water left over a prolonged period of time may cause damage. Alcohol, perfume, nail polishes, aftershave and some medication may cause severe finish damage if not cleaned immediately.
- Use a clean, soft, dry, lint free absorbent cloth to clean your furniture. Do not use any detergent as they may contain ingredients that may react and damage the finish.

NOTE: If the above care advise is not adhered to your product warranty may become void